

## INSTALLING THE ANGLE CABLES Pre 2019 units

### Parts and Tools Needed:

1. Cable package(pair)
2. Hammer

### Procedure:

When you first uncoil the cables, you will see that there is a kink in the cables with a long end and a short end.

The cables are attached to the pipe by hooking this kink under a tab cut into the pipe near each end (fig. 1). Older units have a bolt that inserts into the pipe and hooks into the kink: with these you need to remove the wheel to gain access.

Two problems can prevent the cables from working properly:

- 1) The cable is connected backwards on the pipe
- 2) The cable is wound the wrong way

Attach the cable to the pipe (hooking the kink under the tab or inserting the bolt) with the short end going towards the back. Before winding the cable take a hammer and gently flatten the cable down against the pipe where it exits on either side of the tab or slot.

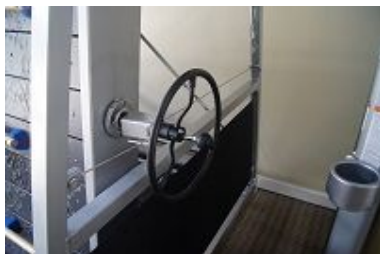
Lock the pipe from rotating with the wall @ vertical angle. Wind the **short** end of the right cable that goes toward the back in neat coils. *Note in fig. 2 how the cable is wound so that the short end to the outside end of the pipe on the right side. On the left side, the cable is wound so with short end on the inside (fig.5).* After winding, the cable goes to the front and attaches to the front frame (fig. 3).

Wind the other end of the cable until it is the right length to reach the turnbuckle going through the back of the frame (fig. 4). Tighten the turnbuckle. Get all the coils nice and tight. Install the left side cable keeping in mind figure 5. Re-install the wheel if needed.

The wall angle can now be changed by winding the wheel back and forth. To eliminate stretch in the cables, wind the wall all the way forward and press down hard on the cables. This will stretch but not damage the cables. Re-tighten the turnbuckle again. Angle the wall all the way back and repeat this procedure.

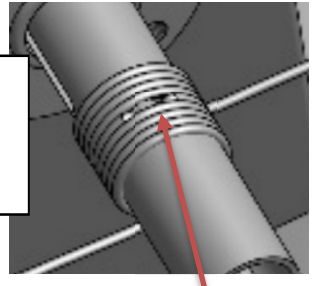
Finally, install the cable guards (fig.6). These are universal - they can go either side. Hook the cable guard onto the front cable and loosen the turnbuckle while maintaining tension on the coil with the other hand. When you have enough slack, slip the rear cable under the other hook. If the cable guard cannot be installed properly, the cable is coiled wrong and must be re-wound. Re-tighten the turnbuckle while keeping tension on the coil.

Check that the cables are neatly coiled and re-tighten the turnbuckles firmly.

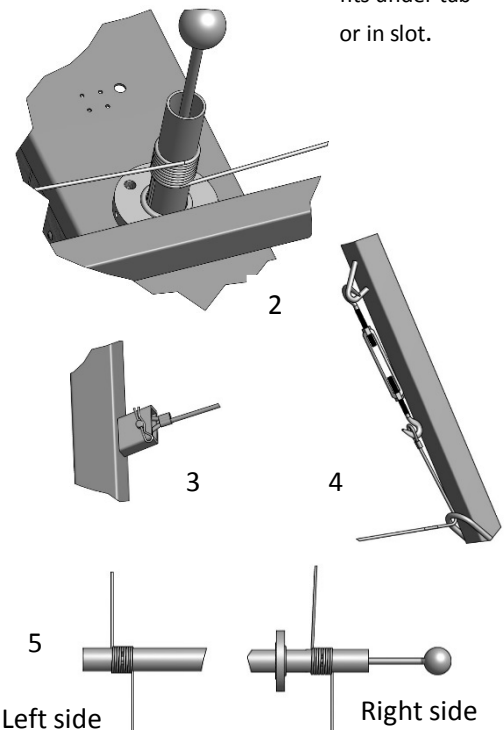


### Figures:

Note: the wheel is omitted from these illustrations for the sake of clarity.



- 1 Kink in cable fits under tab or in slot.



Left side

Right side

Viewed from the front of Treadwall

